



2.0-3.5T

- CPCD20 • CPQ(Y)D20
- CPCD25 • CPQ(Y)D25
- CPCD30 • CPQ(Y)D30
- CPCD35 • CPQ(Y)D35

Internal Combustion Counterbalanced Forklift truck



Integrated overhead guard and rain cover offering outstanding protection and visibility.



Baoli offers a wide range of Diesel, Gasoline and LPG engine options. There is an engine available for all applications and customer needs.



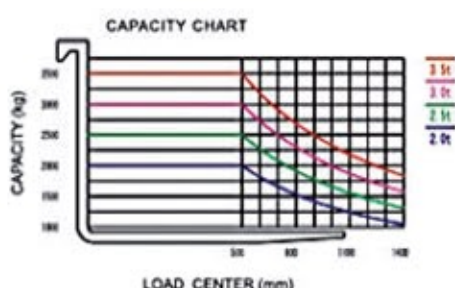
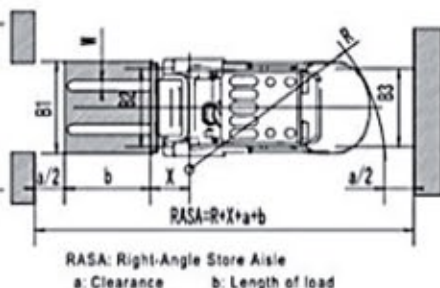
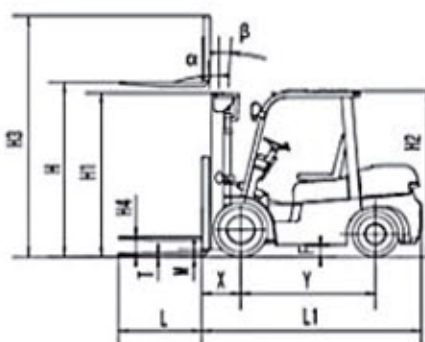
Baoli forklifts do comply with the latest safety, emission and noise standards e.g. CE, EU3.



A hydraulic buffering system provides controlled and smooth lowering of loads and minimizes the risk of damage. (Option)

SIEGE : Route Sidi Mansour km 0,5- Sfax Taparura - 3002 Sfax - TUNISIE
Tél. : +216 74 286 372 / Fax : +216 74 286 880
E-mail : commercial@med-equip.com.tn
SUCCURSALE KEBILI : Tél. : +216 75 494 117 / Fax : +216 75 494 111
SUCCURSALE SBIBA : Tél. : +216 77 488 632 / Fax : +216 77 488 631

www.med-equip.com.tn



General	KION Baoli						
	Model	CPCD20 CPQ(Y)D20	CPCD25 CPQ(Y)D25	CPCD30 CPQ(Y)D30	CPCD35 CPQ(Y)D35		
Power type	Diesel / Gasoline/ LPG						
Rated capacity	kg	2000	2500	3000	3500		
Load center	mm	500					
Lift height	H	3000					
Free lift height	H4	140		145			
Fork size	L×W×T	1070×120×40	1070×120×45	1070×125×45	1070×130×45		
Mast tilt angle	α/β	6/12					
Front overhang	X	484	489	494	500		
Overall dimension	Length to fork face	L1	2510	2580	2720	2775	
	Overall width	B1	1150		1225		
	Mast lowered height	H1	2050		2080	2230	
	Mast extended height	H3	4040		4272		
	Overhead guard height	H2	2060		2090		
Turning radius	R	2170	2240	2460	2540		
Performance	Travel speed (full load/no load)	Hydraulic		17/19		18/19	
		Mechanical	Shift I	8.5/9		8.8/9	
			Shift II	18.5/19		18.5/20	
	Lift speed with load		470		430	400	
Max. grade ability	%	20		15			
Service weight	kg	3550	3880	4380	4750		
Chassis	Tyre	Front	7.00-12-12PR		28×9-12-12PR	28×9-15-14PR	
		Rear	6.00-9-10PR		6.50-10-10PR		
	Tread	Front	B2	970		1000	
		Rear	B3	970		970	
Wheelbase	Y	1650		1700			
Ground clearance (full load/no load)	Mast	M	85/105		110/135		
	Frame	F	115/120		135/140		
Engine	Type	Diesel engine				Gasoline engine	
	Model	490BPG	495BPG	498BPG	ISUZU C24CPKJ	Yanmar 4TNE98	Mitsubishi 4G64-312G
	Rated output (kw/rpm)	37/2650	42/2650	45/2500	34.5/2500	44.3/2300	37/2500
	Rated torque (N.m/rpm)	148/1900	174/1800	191/1600	139/1800	206/1700	161/1600
	No. of cylinder	4	4	4	4	4	4
	Bore×stroke (mm)	90×100	98×105	98×105	86×102	98×110	86.5×100
	Displacement (L)	2.54	2.98	3.168	2.369	3.319	2.350
Truck model	CPC(D) 20/25/30-X1	CPC(D) 30/35-X2	CPC(D) 30/35-X3	CPC(D) 20/25/30-W	CPC(D) 30/35-Y	CPQ(Y)D 20/25/30-M	